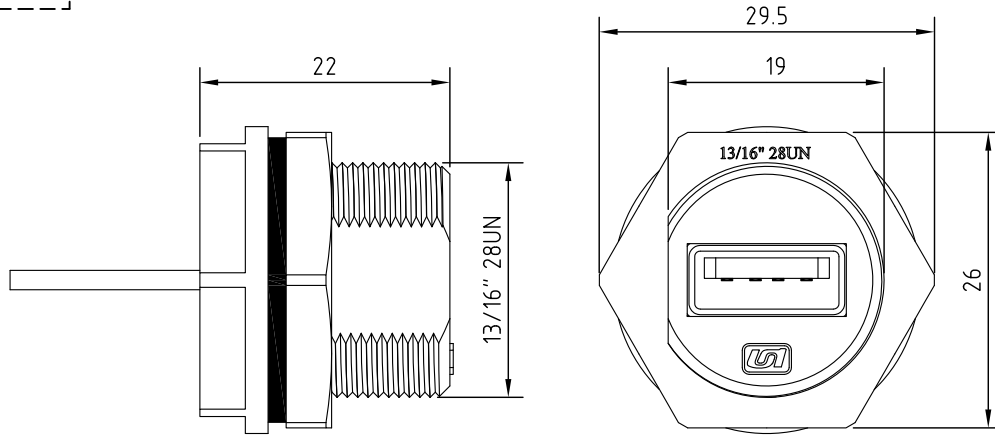


Recommended Panel cut-out



REV.	Description	Date
1	add recommended panel cut-out	2019/4/23
2	panel cut-out dimension revise	2020/9/16

Specification of connector

Locking system : screw 13/16" 28UN  
 Shell protection : IP67  
 Rated current : 1.5A  
 Contact resistance :  $\leq 30\text{m}\Omega$   
 Insulation resistance :  $\geq 1000\text{M}\Omega$  at 500V

4	USB jack	female type A
3	Nut	PA
2	Pad	Rubber
1	Body	PA
Item	Description	Material&Plating

RoHS  
 TOLERANCE  $X \pm 0.5$  . $X \pm 0.3$



**Unicable Co., Ltd. 國陽電業有限公司**

5F., No. 111-33, Sec. 4, San Ho Road., San Chung Dist., New Taipei City, Taiwan  
<http://www.unicable.com.tw> Tel:+886-2-2286-2122 Fax:+886-2-2286-1010

DATE	2020/9/16	PART NO.	UT-SD331M-4P
DWN	GINA	REV.	2
CHK			
UNIT	MM		

ITEM	Waterproof USB series
------	-----------------------